

Illustration - Type - E

3 601 JMO 120

Stand } 24-11
Issue } 24-12-16

Fig./Abb. 1

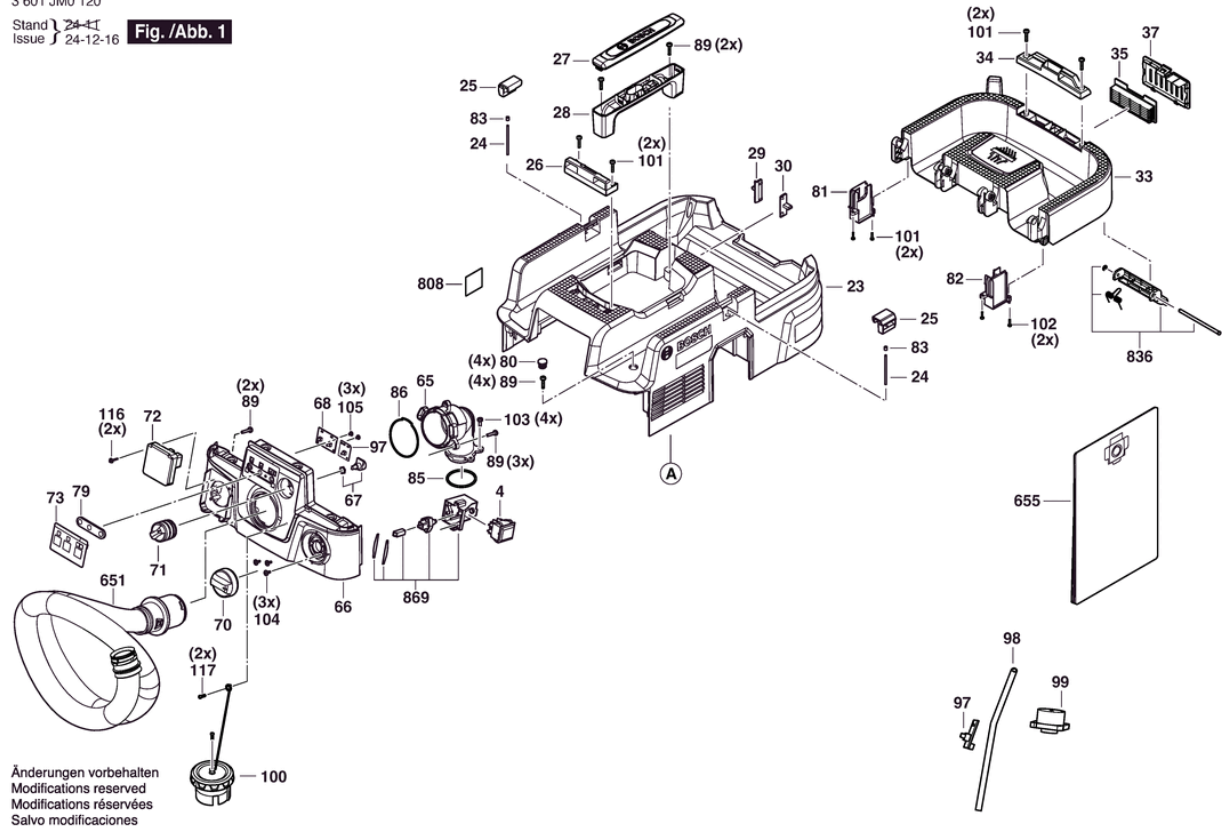
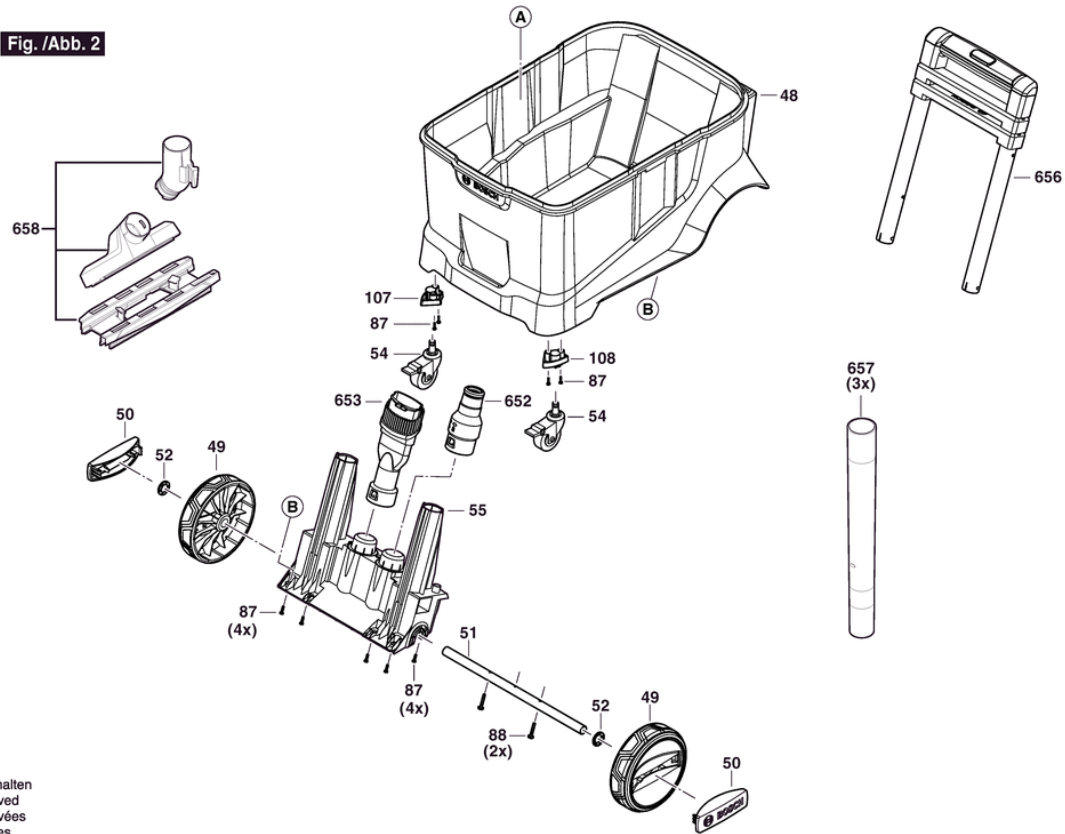


Illustration - Type - E

3 601 JMO 120

Stand } 24-01
Issue } 25-01-24

Fig./Abb. 2



Änderungen vorbehalten
Modifications reserved
Modifications réservées
Salvo modificaciones

Spare parts list

Item	Part Number	Description	Illustration
4	1 600 A02 RZ4	Main Switch	1
23	1 619 PC1 220	Upper Housing	1
24	1 619 PC1 221	Cord	1
25	1 619 PC1 222	Clip	1
26	1 619 PC1 223	Interface	1
27	1 619 PC1 224	Handle	1
28	1 619 PC1 225	Handle	1
29	1 619 PC1 226	fixation	1
30	1 619 PC1 227	fixation	1
33	1 619 PC1 230	Cover	1
34	1 619 PC1 231	Interface	1
35	1 619 PC1 232	AFC filter	1
37	1 619 PC1 234	Filter holder	1
65	1 619 PC1 263	Tube	1
66	1 619 PC1 264	Operator Panel	1
67	1 619 PC1 265	Electronic Board	1
68	1 619 PC1 266	Electronic Board	1
70	1 619 PC1 269	Switch Cover	1
71	1 619 PC1 270	Switch Cover	1
72	1 619 PS2 160	Socket	1
73	1 619 PS0 569	Sticker	1
79	1 619 PC1 285	Rubber	1
80	1 619 PC1 286	Cover	1
81	1 619 PC1 287	Holder	1
82	1 619 PC1 288	Holder	1
83	1 619 PC1 289	Clip	1
85	1 619 PC1 291	Rubber	1
86	1 619 PC1 293	Rubber	1
89	1 619 PC2 138	Screw	1
97	1 619 PC1 292	Hall Sensor	1
98	1 619 PC2 146	Tube	1
99	1 619 PC2 147	Buzzer	1
100	1 619 PS0 714	Cover	1
101	1 619 PC2 954	Screw	1
102	1 619 PC2 955	Screw	1

Spare parts list

Item	Part Number	Description	Illustration
103	1 619 PC2 956	Screw	1
104	1 619 PC2 957	Screw	1
105	1 619 PC2 958	Screw	1
116	1 619 PS2 152	Screw	1
117	1 619 PS2 397	Screw	1
651	1 619 PC1 629	Hose	1
655	1 619 PC1 634	Dust Bag	1
808	1 619 PS2 158	Nameplate	1
836	1 619 PC1 233	Latch	1
869	1 619 PC1 268	Switch Assembly	1
48	1 619 PC1 246	Dust container	2
49	1 619 PC1 247	Wheel	2
50	1 619 PC1 248	Cover	2
51	1 619 PC1 249	Shaft	2
52	1 619 PC1 250	Clip	2
54	1 619 PC1 252	Wheel	2
55	1 619 PC1 253	Holder	2
87	1 619 PC1 294	Screw	2
88	1 619 PC2 137	Screw	2
107	1 619 PC2 960	Plate	2
108	1 619 PC2 961	Plate	2
652	1 619 PC1 630	Adapter	2
653	1 619 PC1 631	Nozzle	2
656	1 619 PC1 635	Rod	2
657	1 600 A02 31S	Suction Tube	2
658	1 619 PB0 787	floor nozzle	2
1	1 619 PC1 212	Housing	3
2	1 619 PC1 213	Motor	3
5	1 619 PS2 156	Power supply cord	3
7	1 619 PC1 215	fixation	3
22	1 600 A02 TR3	Electronic Board	3
31	1 619 PC1 228	Filter	3
32	1 619 PC1 229	Housing	3
38	1 619 PC1 235	Rubber	3
39	1 619 PC1 236	Rubber	3

Spare parts list

Item	Part Number	Description	Illustration
40	1 619 PC1 237	Electromagnet	3
41	1 619 PC1 238	Rubber	3
42	1 619 PC1 239	Housing	3
43	1 619 PC1 240	Valve Body	3
44	1 619 PC1 241	Spring	3
45	1 619 PC1 242	Sealing Rubber	3
46	1 619 PC1 243	Housing	3
47	1 619 PC1 244	Valve Body	3
57	1 619 PC1 255	Sealing Rubber	3
58	1 619 PC1 256	Rubber	3
59	1 619 PC1 257	Rubber	3
60	1 619 PC1 259	Rubber	3
61	1 619 PC1 258	Rubber	3
62	1 619 PC1 260	Rubber	3
63	1 619 PC1 261	Inlet Cover	3
74	1 619 PC1 278	Cover	3
75	1 619 PC1 279	Cover	3
76	1 619 PC1 281	Hall Sensor	3
77	1 619 PC1 282	Tube	3
78	1 619 PC1 284	Valve Body	3
84	1 619 PC1 290	Rubber Pad	3
90	1 619 PC2 139	Screw	3
91	1 619 PC2 140	Foam Plastics	3
92	1 619 PC2 141	Foam Plastics	3
93	1 619 PC2 142	Foam Plastics	3
94	1 619 PC2 143	Foam Plastics	3
95	1 619 PC2 144	Foam Plastics	3
96	1 619 PC2 145	Foam Plastics	3
106	1 619 PC2 959	Screw	3
654	1 619 PC1 632	Holder	3
856	1 619 PC1 254	Latch	3
864	1 619 PC1 262	Float	3